



STEYR SCOUT ELITE

6MM BOLT ACTION SNIPER RIFLE INSTRUCTION MANUAL

WARNING!

+18 NOT A TOY. USER RESTRICTED TO 18 YEARS OF AGE OR OLDER.



ALWAYS KEEP THE AIRSOFT GUN POINTED IN A SAFE DIRECTION.
THIS AIRSOFT GUN MAY CAUSE SERIOUS INJURY IF MISUSED OR MISHANDLED.



ALWAYS READ THROUGH ALL INSTRUCTIONS BEFORE USING.



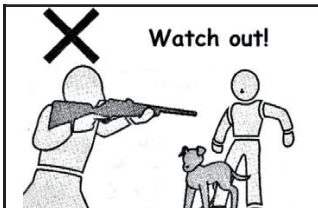
THE PURCHASER AND USER SHOULD CONFORM TO ALL LAWS GOVERNING OWNERSHIP,
TRANSPORT AND USE OF AIRSOFT GUNS.

Steyr Scout Elite Bolt Action Sniper Rifle

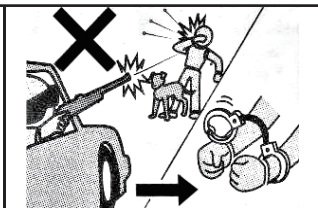


Always wear eye protective gear.

When shooting airsoft gun for a target or game, you and all participants, you and all participants must wear goggles or other eye protective gear, also paying attention to ricochets. (Pay sufficient attention also to third personnel other than participants.)



Never aim or shoot a person or animal as the target.



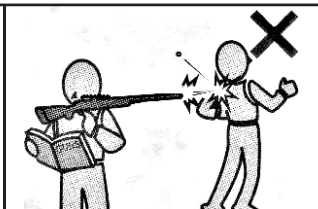
Never shoot as joking, always look before shoot.



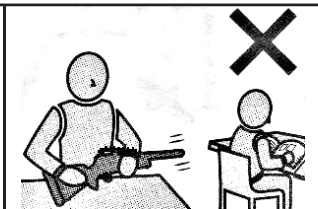
Never shoot airsoft gun at places where people careless use may cause injure and be punished.



Never look into gun muzzle.



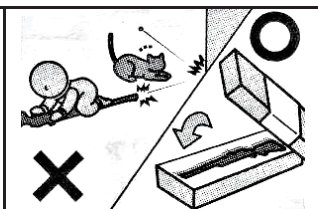
Avoid pulling the trigger carelessly.



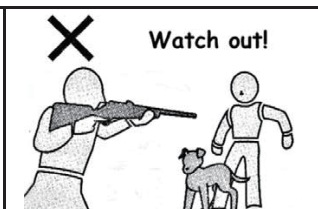
Always keep airsoft gun pointed in safe direction.



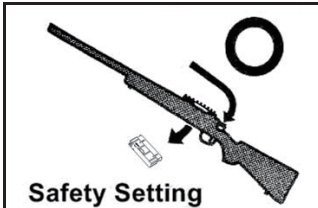
Do not carryout in public place, put into a case or bag for carrying.



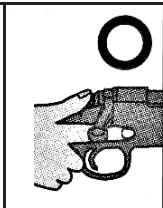
Store airsoft gun at places out of reach by children.



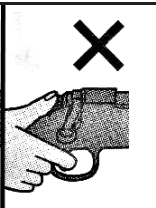
BB pellets may be shot out even if the magazine is removed.



Always set the selector lever to Safety position until ready to shoot. Always keep airsoft gun unloaded until ready to use.



Always keep your fingers away from trigger until ready to shoot.



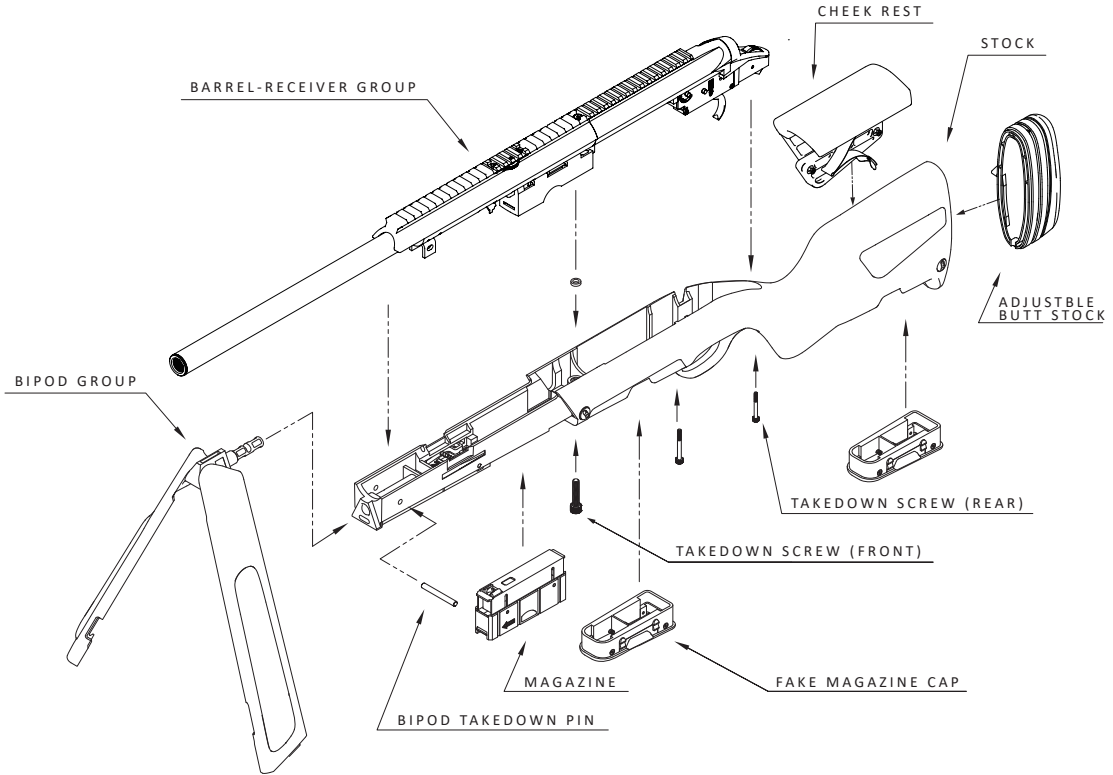
Never disassemble or modify airsoft gun, to avoid causing troubles and dangerous.

⚠ WARNING!

- The operation procedure varies according to the model. Make sure to operate an airsoft gun after recognizing its features.
- We are not responsible for any accidents, events, injuries or repair costs arising from wrong operation and handling or by modification and disassembly of the gun.
- Repair cost is payable if user damages product with DIY work.

1

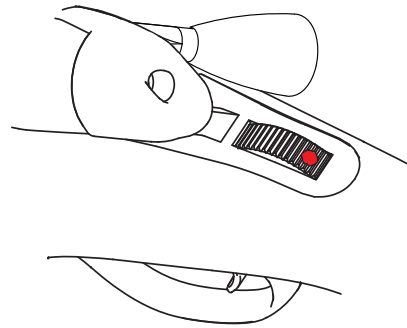
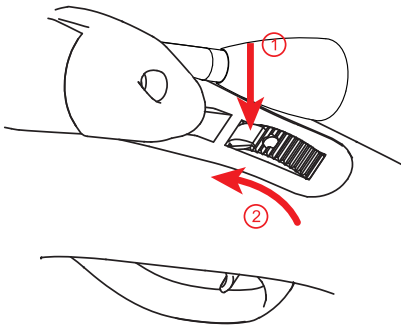
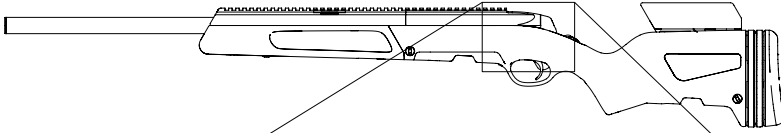
SPECIFICATIONS



| | |
|------------------------|-----------------------------|
| WEIGHT (without mag) | 3.1 kg |
| LENGTH | 1090 mm |
| BARREL LENGTH | 450 mm |
| BARRLE CALIBER | 6.03 mm |
| HOP UP ADJUSTMENT | TDC |
| MAGAZINE | 32 rds |
| COLOR | BLACK |
| PELLET TYPE | 6 mm BB |
| INITIAL SPEED (Normal) | 460 FPS (140 m/s) with M130 |

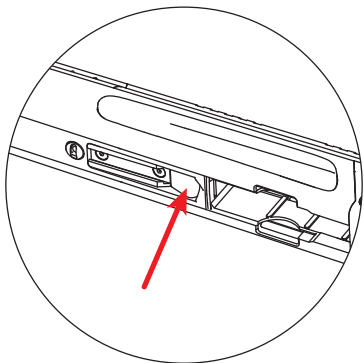
2 SAFETY

Press the white button and roll forward to release the safety. It is armed (firing ready) if the red mark appears.



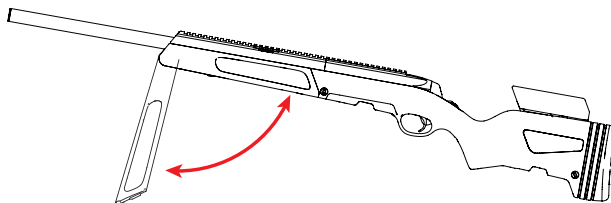
3

BI-POD



Push on the bipod release switch to drop it down. Simply push it back up to retract.

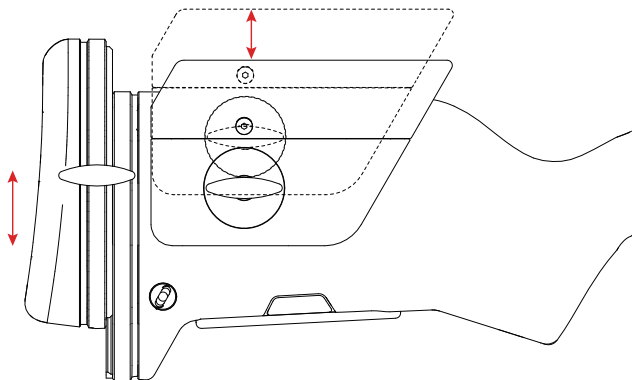
**The bipod is a moving part so repeated use typically causes wear.*



4

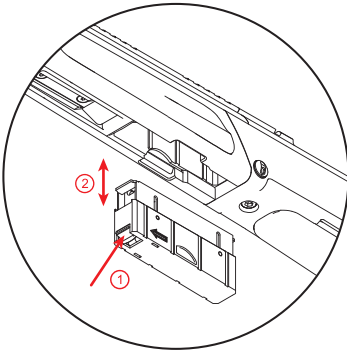
BUTTSTOCK & CHEEK REST ADJUSTMENT

Adjust the buttstock and cheek rest position by tightening/loosening the adjustable screw at the right side of your rifle.



5

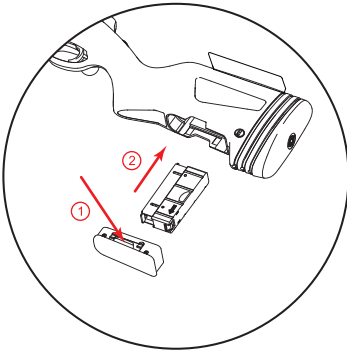
MAGAZINE INSTALLATION



Main magazine

Simply snap the magazine into place as necessary. Press the magazine release button to remove it.

**Non-compatible with MOD24 standard magazine, which can only be used by changing the magazine inner case.*



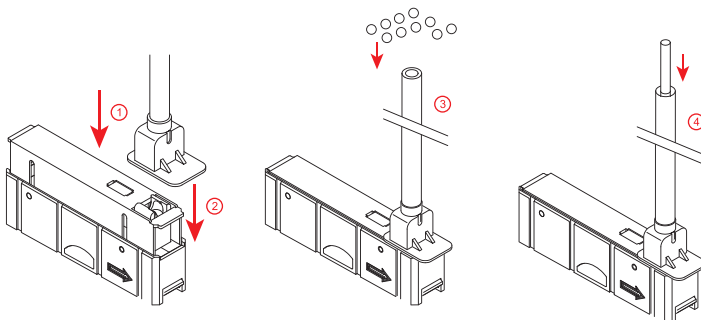
Spare magazine

Press the 2 side buttons to remove the dust cover. Insert the spare magazine vertically into the buttstock.

6

REFILLING BBS

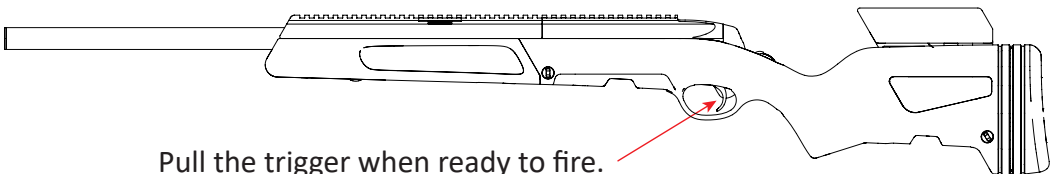
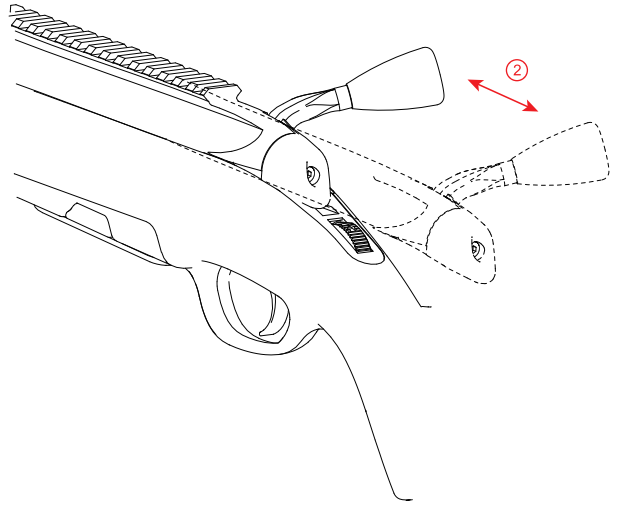
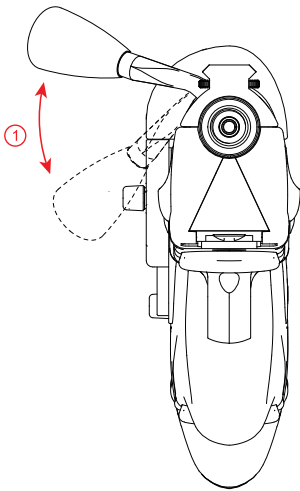
Press on the magazine to let magazine feeding lip pop out (1). Aim the BB filler to the feed lip on the magazine (2). Start refilling BBs into the magazine (3). Push BBs in place with the pusher or rod (4).



7

READY TO FIRE

Pull up on the charging handle and then pull all the way back to load .
With the action in place, make sure the charging handle is secure in position
before firing by pulling the trigger. **(Not available on Safety)**

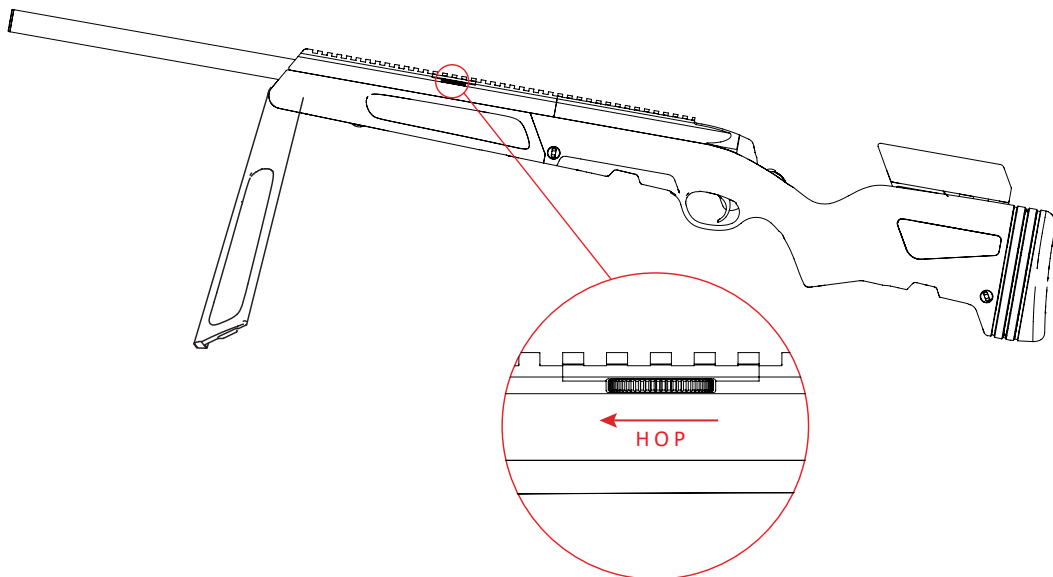


Pull the trigger when ready to fire.

8

HOP UP ADJUSTMENT

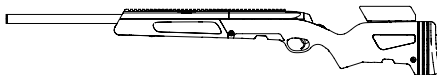
The TDC adjustable wheel with positive feedback gives you 120+ positions for a more precise shooting experience.
Clockwise to increase the hop-up.
Counterclockwise to decrease the hop-up .



✗ Too much hop-up (Return the lever toward NORMAL)

✓
BEST POSITION

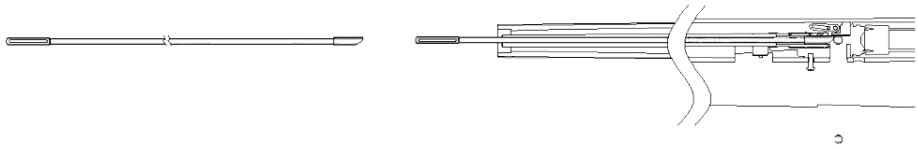
✗ Not enough hop-up (Move the lever toward HOP)
Or, too much hop-up (Return the lever toward NORMAL)



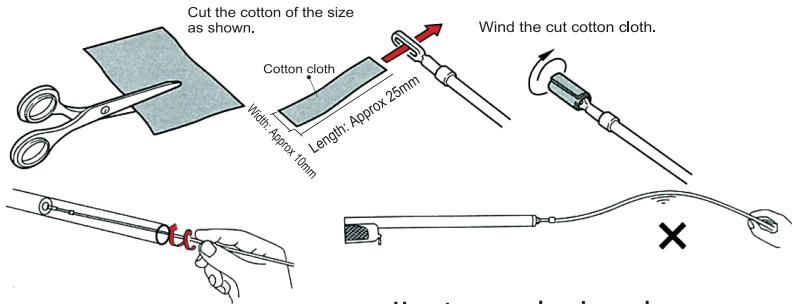
9

MAINTENANCE

Drop a few drops of silicone oil from the pellet entrance, then fire pullets equivalent to 1 or 2 magazine. Use the cleaning rod(with cotton) as shown below, to remove the excess oil to complete the miantenance.



Always begin the maintenance by returning the hop up adjustment lever to the Normal (HOP off) position. The inside chamber is a precision component, it can be damaged easily. Be careful during maintenance. Never use any used pellets.



How to use a cleaning rod

Cut a cotton cloth to the size as shown and insert one end into the hole in the rod.(Adjust the length of the cloth for smooth entry into the barrel.)

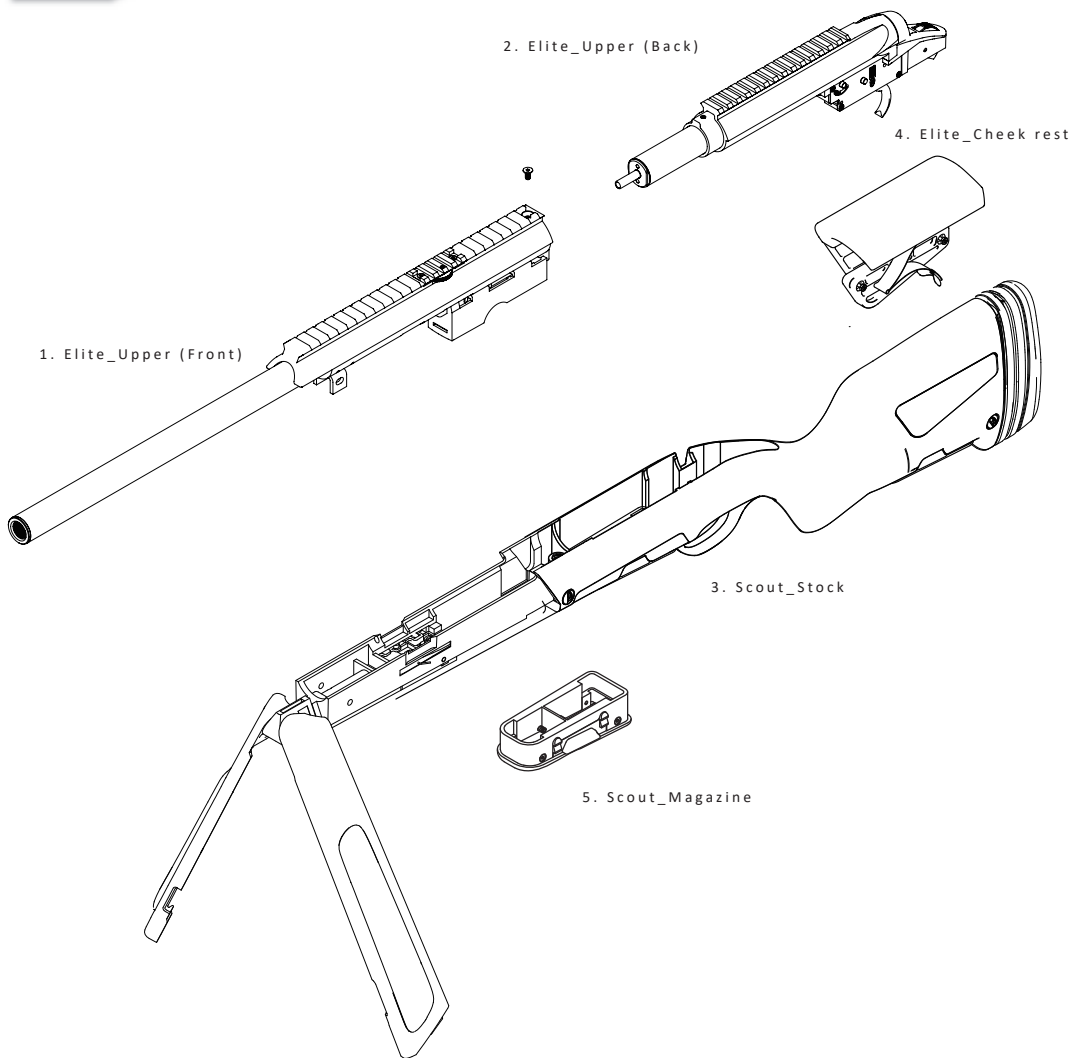
10

Q&A

| | |
|---|---|
| Is it a VSR10? | It is not VSR10 compatible. |
| Is it a MOD24 system? | Yes, but with the Bore-Up cylinder system. |
| Is it interchangeable with the MOD24 magazine? | Its Magazine inner case does not fit. |
| Are the parts interchangeable with that on the MOD24? | It is compatible with trigger unit, hop up chamber and inner barrel. |
| Hop up bucking recommendation? | Predator hop up bucking. |
| How to fix stuck BBs? | Pull back the bolt to full stop. Then dislodge BBs with a cleaning rod. |
| How to fix poor trajectory? | Clean the barrel, check the airtight and then adjust the hop up as necessary. |
| How to fix a broken airsoft gun? | Hand it over to the nearest distributor or tech. DO NOT DIY to avoid warranty problems. |
| Can I switch the Elite upper to my airsoft Steyr Scout? | Yes, you can. |

11

EXPLODED VIEW



Scan the QR-code
to view the detail.
(中文版連結)



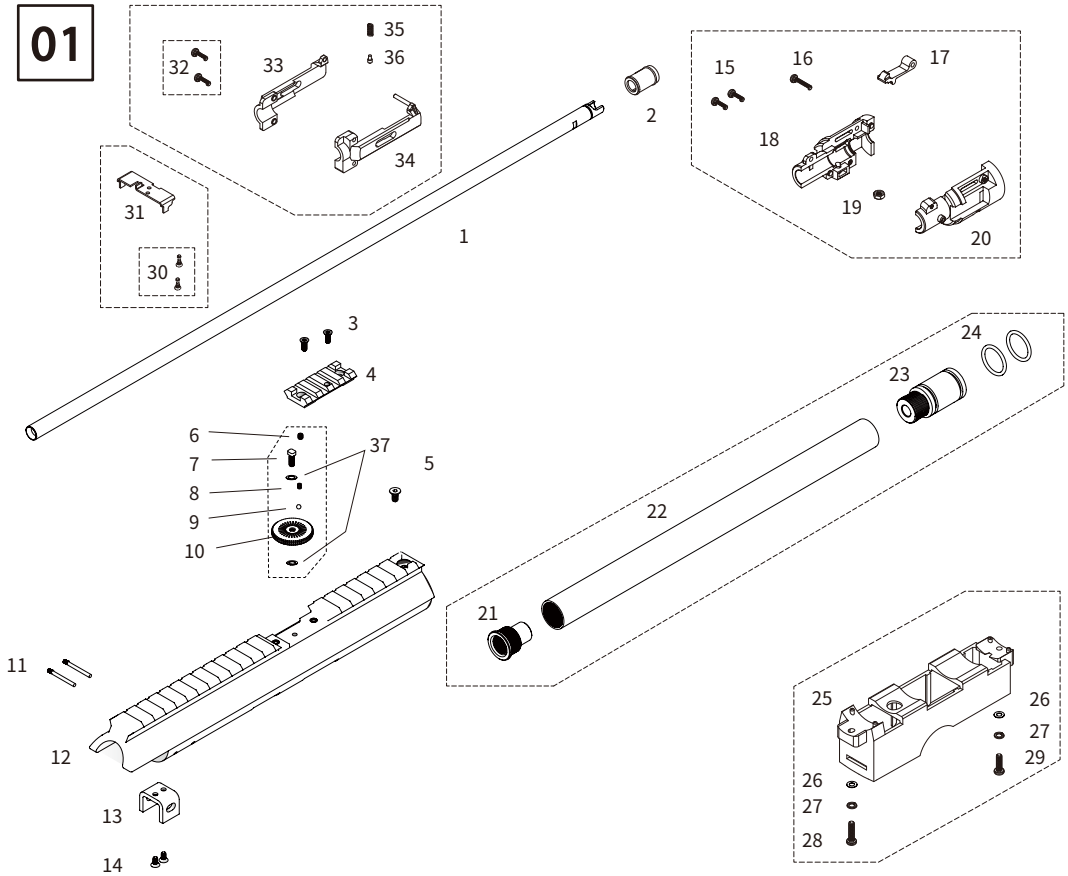
Modify Airsoft
Owners Group



[Steyr Scout]
How-To

12

EXPLODED VIEW

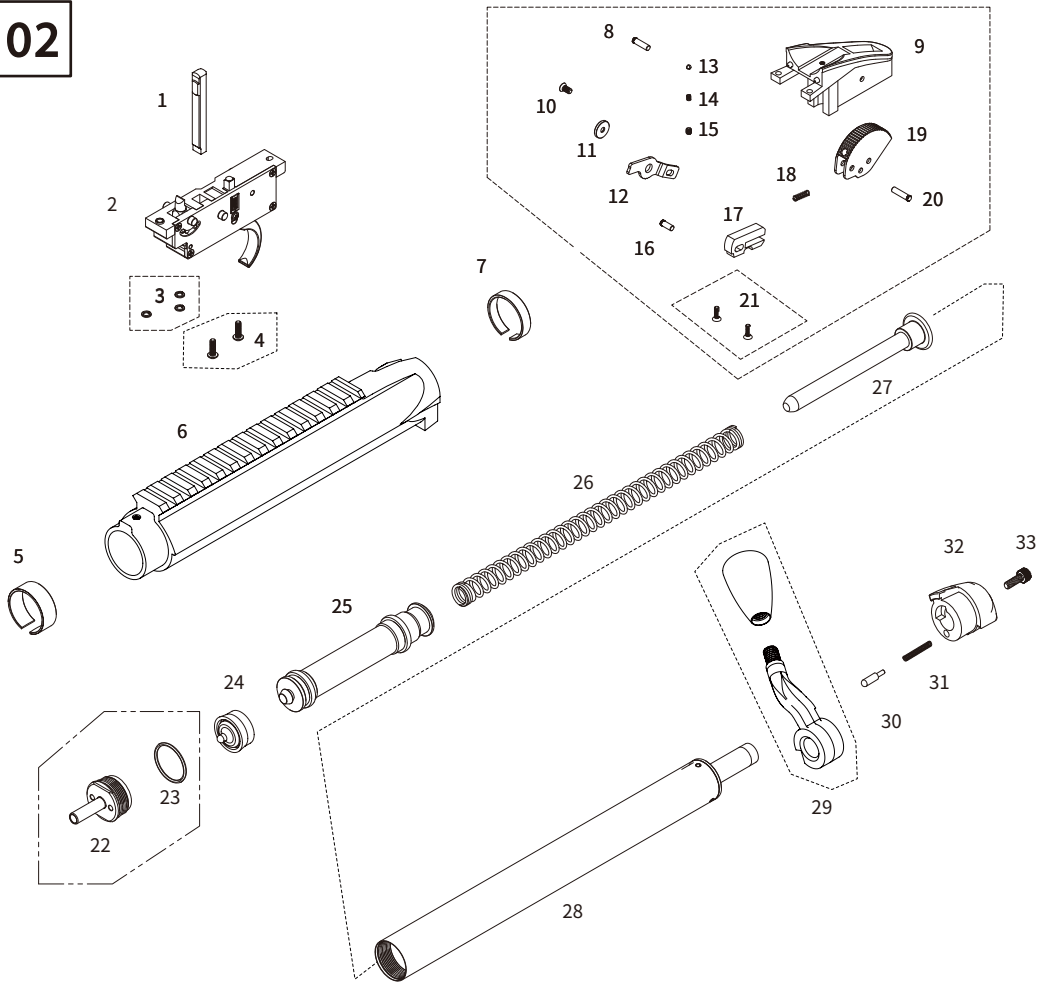


- | | | | |
|---|---|--------------------------------------|---------------------------------------|
| 01-1 Inner Barrel | 01-11 Barrel Combine Pin (2 pcs) | 01-21 Barrel Front Cap | 01-31 Hop Up Adjustment Lever |
| 01-2 Predator Hop Up Bucking | 01-12 Front Receiver | 01-22 Outer Barrel | 01-32 M2.5x8 Screw (2 pcs) |
| 01-3 M3x6 Top Rail Screw (2 pcs) | 01-13 Combine Bridge | 01-23 Barrel Mount | 01-33 Hop Adjuster (right) |
| 01-4 Top Rail | 01-14 M3x6 Combine Screw (2 pcs) | 01-24 O-ring (2 pcs) | 01-34 Hop Adjuster (left) |
| 01-5 M4x8 Combine Screw | 01-15 M2.5x8 Screw (2 pcs) | 01-25 Magazine Well | 01-35 Hop Up Adjustment Spring |
| 01-6 M3x5 Adjust set Screw | 01-16 M2.5x12 Screw | 01-26 Washer (2 pcs) | 01-36 Hop Up Adjustment Pin |
| 01-7 M3 Wheel Screw | 01-17 Hop Up Arm | 01-27 Washer (2 pcs) | 01-37 Washer (2 pcs) |
| 01-8 Positioning Spring | 01-18 Hop Up Chamber (right) | 01-28 M3X12 Combine Screw | |
| 01-9 TDC Positioning Ball | 01-19 Chamber Nut | 01-29 M3X10 Combine Screw | |
| 01-10 TDC Wheel | 01-20 Hop Up Chamber (left) | 01-30 M2X6 Self-Tapping Screw | |

13

EXPLODED VIEW

02



02-1 Spring Guide Stopper

02-2 Trigger Assembly

02-3 Washer (3 pcs)

02-4 M3X10 Combine Screw (2 pcs)

02-5 POM Bushing (front)

02-6 Back Receiver

02-7 POM Bushing (back)

02-8 Pin

02-9 Safety Housing

02-10 Screw

02-11 Washer

02-12 Safety Bar

02-13 Positioning Ball

02-14 Positioning Spring

02-15 Set Screw

02-16 Safety Pin

02-17 Lock Piece

02-18 Pressure Spring

02-19 Safety Roller Sub-assy

02-20 Pivot Pin

02-21 M2.5X8 Combine Screw (2 pcs)

02-22 Enlarge Cylinder Head

02-23 O-ring

02-24 Enlarged Air Brake Piston Head

02-25 Enlarge Piston

02-26 9mm Irregular-pitch Spring

02-27 Enlarge Spring Guide

02-28 Enlarge Bolt

02-29 Bolt Handle

02-30 Bolt Clip Pin

02-31 Bolt Clip Spring

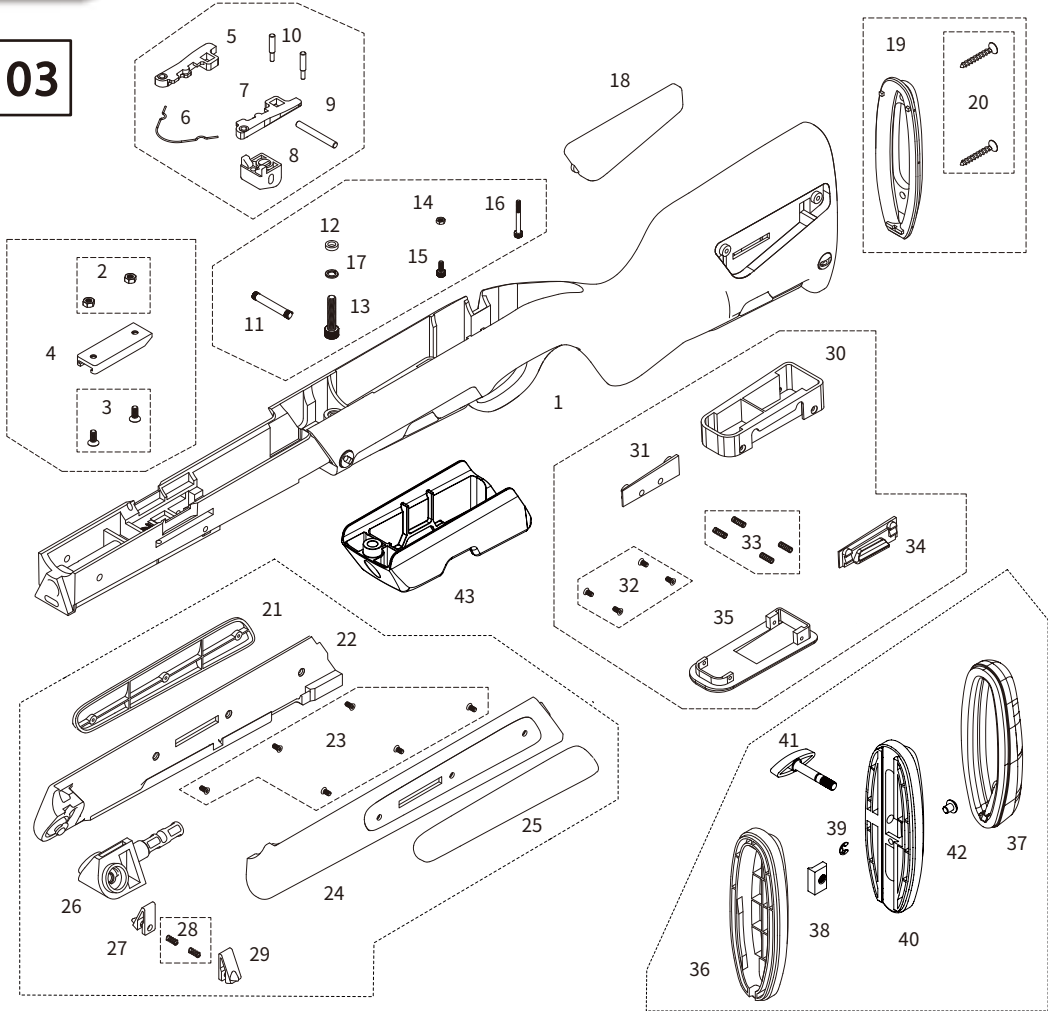
02-32 End Cap

02-33 End Cap Screw

14

EXPLODED VIEW

03

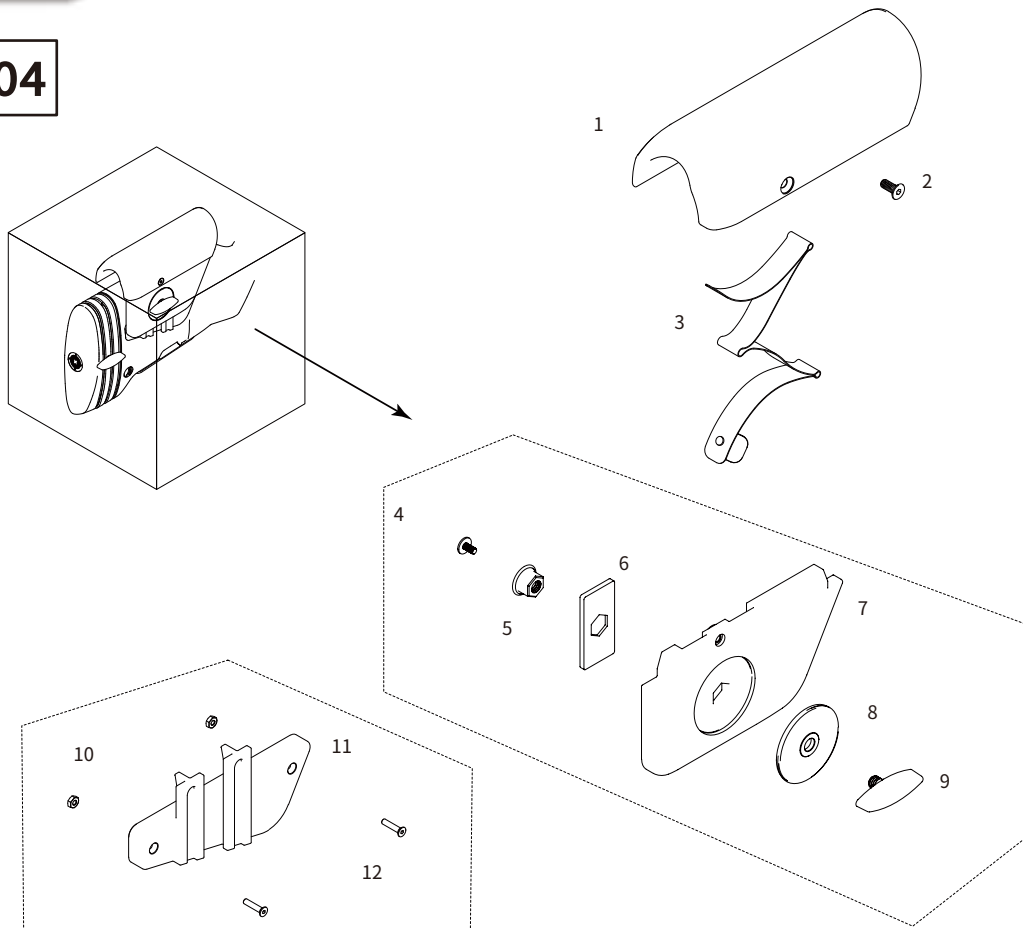


- | | | | | |
|-------------------------------|------------------------------|----------------------------|----------------------------|---------------------------|
| 03-1 Stock Body | 03-11 Bipod Takedown Pin | 03-21 Right Grip Rail | 03-31 Right Snap Latches | 03-41 Adjustment Screw |
| 03-2 Nut (2 pcs) | 03-12 Bedding Washer | 03-22 Right Bipod Body | 03-32 M3X6 Screw (4 pcs) | 03-42 M5X6 Position Screw |
| 03-3 M4X10 Rail Screw (2 pcs) | 03-13 Takedown Screw (front) | 03-23 M2.5X6 Screw (6 pcs) | 03-33 Spring (4 pcs) | 03-43 Enlarge Mag-well |
| 03-4 Rail | 03-14 Nut | 03-24 Left Bipod Body | 03-34 Left Snap Latches | |
| 03-5 Right Lever Retainer | 03-15 M3X8 Screw | 03-25 Left Grip Rail | 03-35 Fake Bottom Magazine | |
| 03-6 Spring | 03-16 Takedown Screw (rear) | 03-26 Bipod Swivel Body | 03-36 Spacer | |
| 03-7 Left Lever Retainer | 03-17 Washer | 03-27 Right Spring Clip | 03-37 Butt Plate | |
| 03-8 Lever Actuator | 03-18 Left Stock Insert | 03-28 Spring (2 pcs) | 03-38 Square head bolt | |
| 03-9 Pin | 03-19 Butt Stock Cove | 03-29 Left Spring Clip | 03-39 E-clip | |
| 03-10 Pin (2 pcs) | 03-20 Screw (2 pcs) | 03-30 Fake Body Magazine | 03-40 Adjustment Spacer | |

15

EXPLODED VIEW

04



04-1 Cheek Rest

04-11 Base Plate

04-2 M4x10 Combine Screw

04-12 M2.5x12 Screw (2pcs)

04-3 Spring

04-4 M3x6Screw

04-5 Hex Head Bolt

04-6 Washer

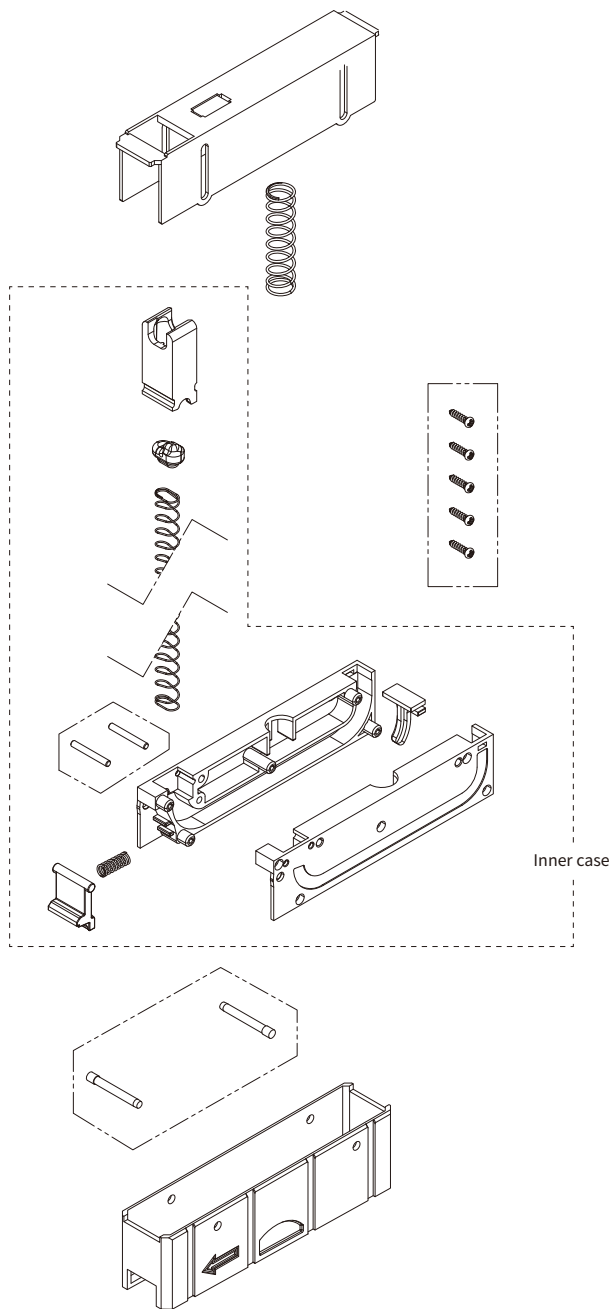
04-7 Side Plate

04-8 Plate

04-9 Adjustment Screw

04-10 M2.5 Bolt (2pcs)

05





STEYR ARMS GmbH, Austria, and the Steyr logo are registered trademarks of STEYR ARMS GmbH - www.steyr-arms.com - and are used for airsoft replicas under license from ActionSportGames| A/S, Denmark - www.actionsportgames.com.



Manufactured by Modify-tech
www.modify-tech.com
No.21, Ln. 384, Yongfeng Rd.,
Bade Dist, Taoyuan County 334015, Taiwan



STEYR SCOUT ELITE

6MM BOLT ACTION SNIPER RIFLE INSTRUCTION MANUAL

WARNING!

+18 NOT A TOY. USER RESTRICTED TO 18 YEARS OF AGE OR OLDER.



ALWAYS KEEP THE AIRSOFT GUN POINTED IN A SAFE DIRECTION.
THIS AIRSOFT GUN MAY CAUSE SERIOUS INJURY IF MISUSED OR MISHANDLED.

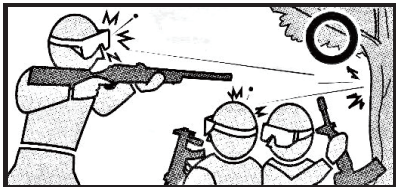


ALWAYS READ THROUGH ALL INSTRUCTIONS BEFORE USING.



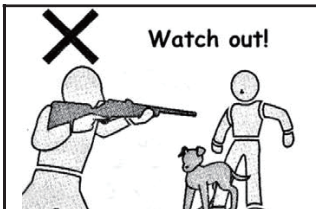
THE PURCHASER AND USER SHOULD CONFORM TO ALL LAWS GOVERNING OWNERSHIP,
TRANSPORT AND USE OF AIRSOFT GUNS.

Steyr Scout Bolt Action Sniper Rifle



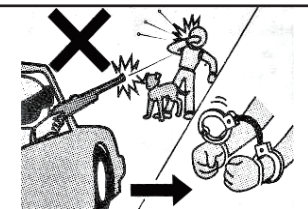
請戴上護目鏡

當射擊時，所有參與者必須配戴護目鏡或其他眼部護具。請注意流彈，並應提醒其他在場人員要特別注意安全。



Watch out!

請勿將槍口指向人或動物。



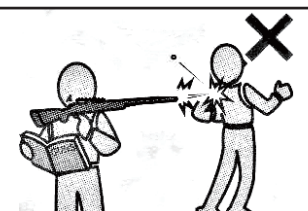
射擊不是玩笑，請於射擊前看清楚目標物。粗心的使用可能會造成傷害，進而遭受處罰。



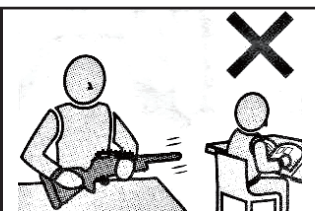
請不要在人、車經過的地方射擊。



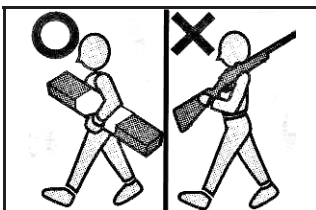
請不要直視槍口。



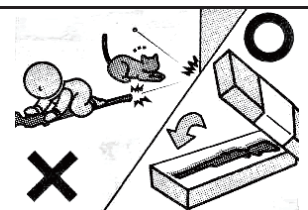
請避免不小心的板機扣壓。



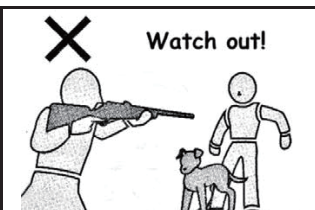
請保持槍口朝向安全位置。



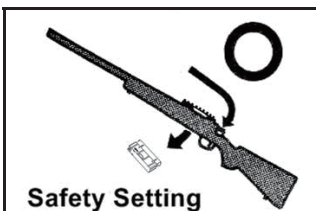
請不要在公共場合隨意攜帶槍支，應將槍支放入槍盒或是槍袋中以便攜帶。



請將槍支安全的放置在孩童無法拿取的地方。

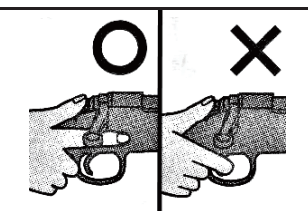


即使彈匣取出，BB彈也有可能從槍中射出去，請小心使用。



Safety Setting

尚未射擊前，請將安全調節桿設定在 Safety 位置。



尚未射擊前，請讓手指離開板機。

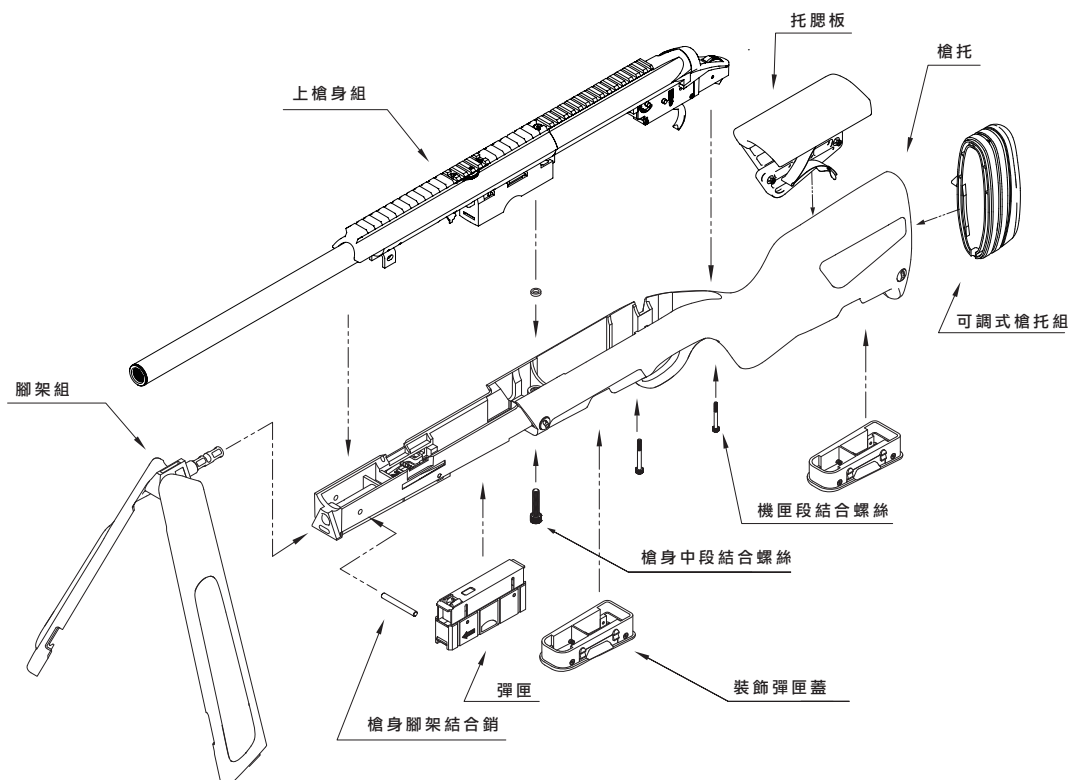


請不要自行拆卸或修改此槍。

警告

- 請了解認識SCOUT各項功能後，再操作此槍。
- 摩帝企業有限公司對於因錯誤操作和處理發生的事故、意外、受傷，或因修改和拆卸槍支所產生的維修費用不負任何責任。
- 使用前注意事項：
 - 當您收到SCOUT時，請檢查有無損毀或缺少零件。若發現有上述情況時，請立即與您購買的店家聯絡。
 - 如果遺失操作手冊，請即時索取。

1 ELITE 規格表

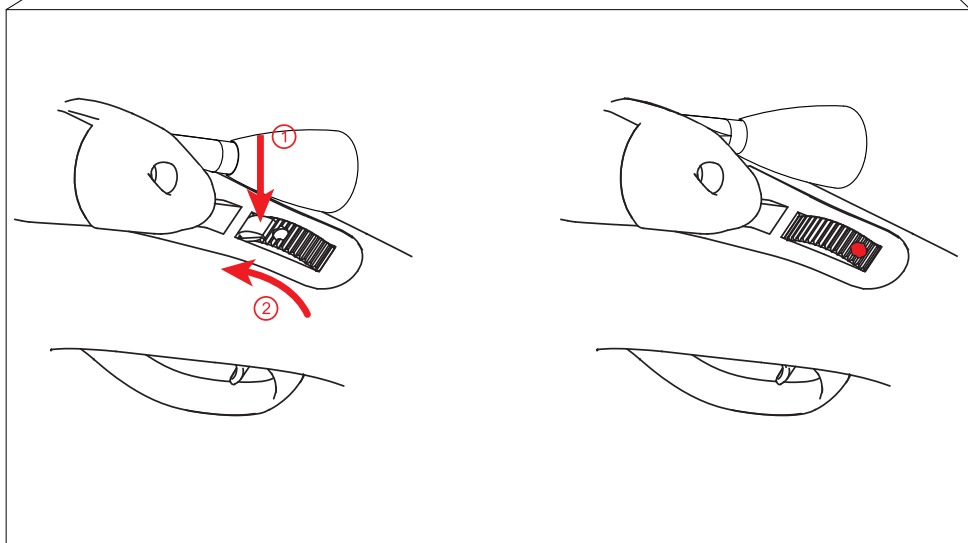
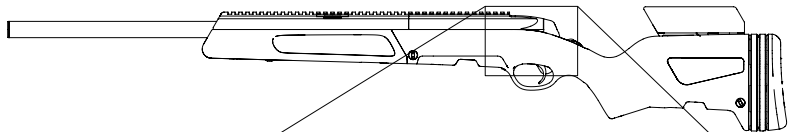


| | |
|-----------|-----------------------------|
| 重量 | 3.1 kg |
| 總長 | 1090 mm |
| 內管長度 | 450 mm |
| 內管管徑 | 6.03 mm |
| Hop調整系統 | TDC |
| 彈匣容量 | 32 rds |
| 顏色種類 | BLACK |
| 彈藥種類 | 6 mm BB |
| 槍口初速 (一般) | 460 FPS (140 m/s) with M130 |

2

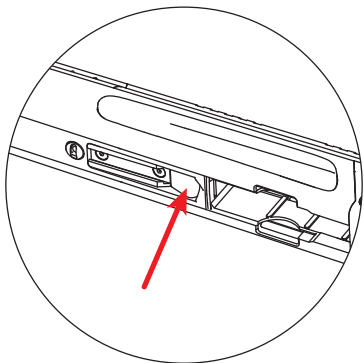
保險開關操作

按下白色按鈕後向前即可推動保險開關，
若指示器出現紅色，則表示為可擊發狀態。



3

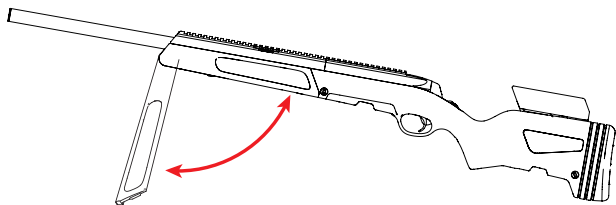
腳架操作



按下槍身下方的腳架釋放鈕，即可將兩側腳架展開。

若要收回時，直接將腳架沿槍身溝槽推入。

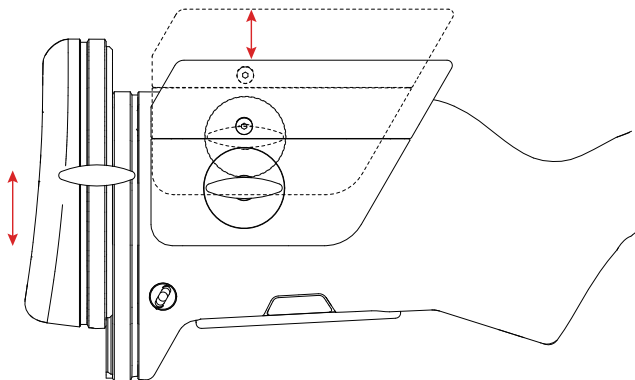
*腳架卡榫為作動零件，長時間使用可能造成磨損。



4

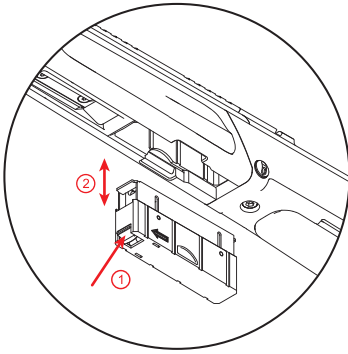
後托及托腮板調整

若要改變後托及托腮板位置，
需使用位於槍身右側的調整螺絲，
調整後托及托腮板，



5

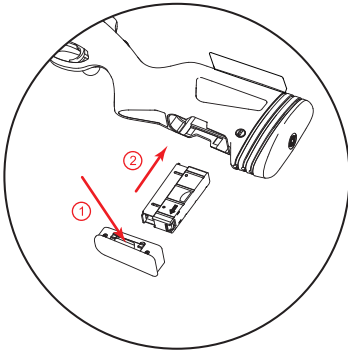
彈匣安裝



主彈匣

將彈匣沿溝槽扣入即完成彈匣安裝，反之，按壓彈匣上的卸彈鈕即可將彈匣取下。

*此彈匣與MOD24標準彈匣不共用，需更換內膽。



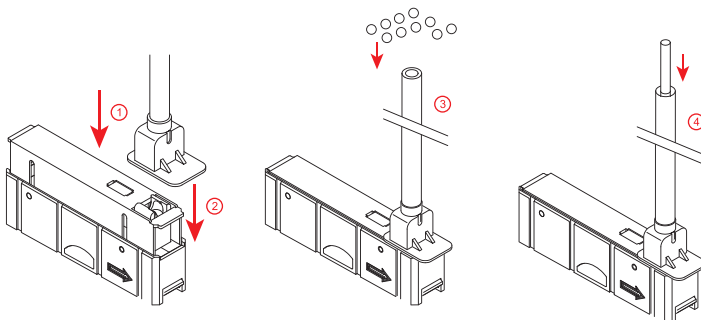
備用彈匣

先按下兩側按鈕可將後方裝飾蓋取下，直立裝入另一個備用彈匣後裝回裝飾蓋即可。

6

BB彈填裝

- (1) 先按壓彈匣露出BB彈含彈嘴後
- (2) 把填彈器裝在彈匣出彈口上
- (3) 將BB彈裝入填彈器中
- (4) 插入推桿推壓以填裝BB彈。

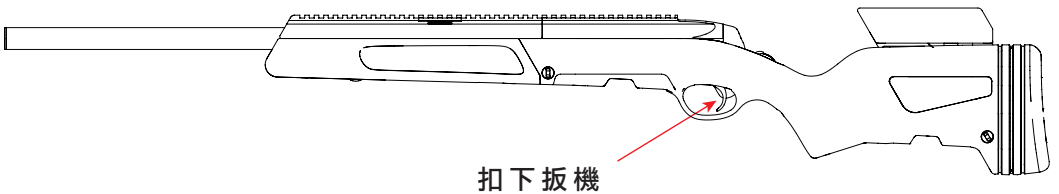
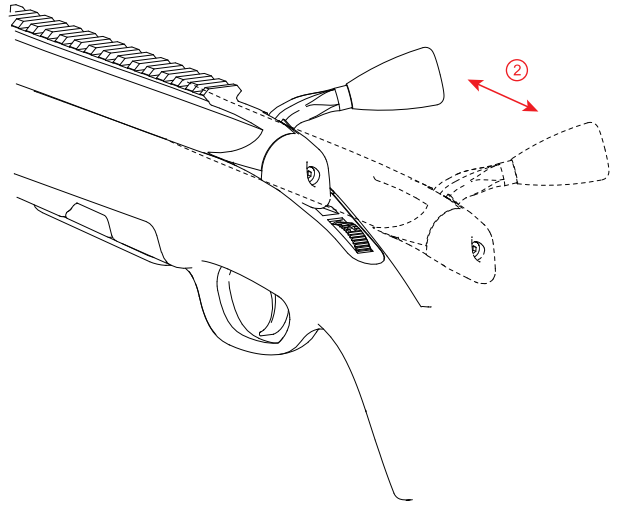
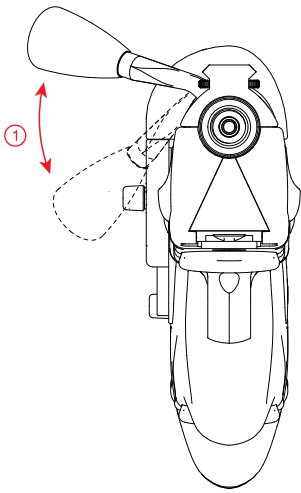


7

射擊準備

- (1) 將槍機拉柄上提後，
- (2) 用力往後拉至上膛。將槍機及拉柄復位後，即可射擊。

Safe 模式下無法扣壓扳機

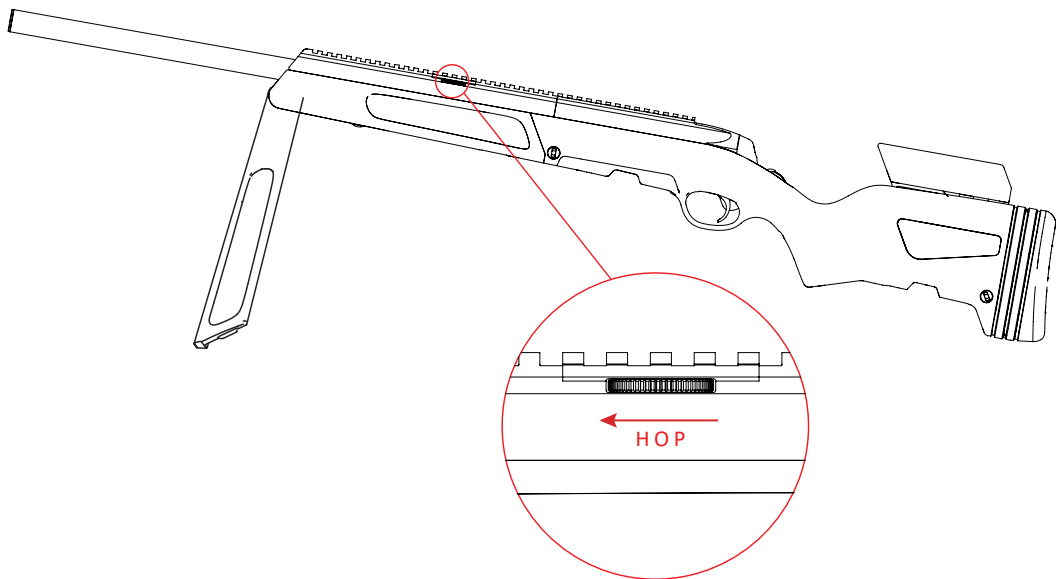


8

HOP UP 調整

為了增強射擊體驗

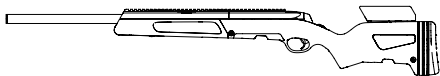
TDC調整輪提供120格具體感回饋的Hop Up調整格，
調順時針旋轉TDC螺絲可增加Hop下壓深度，
逆時針則反之。



✗ Too much hop-up (Return the lever toward NORMAL)

✓
BEST POSITION

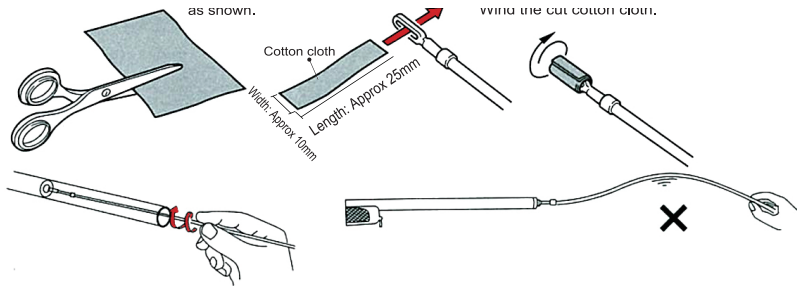
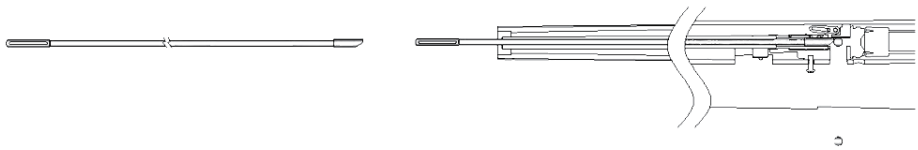
✗ Not enough hop-up (Move the lever toward HOP)
Or, too much hop-up (Return the lever toward NORMAL)



9

保養

請先確認槍管內已無BB彈。



如何正確使用通槍條

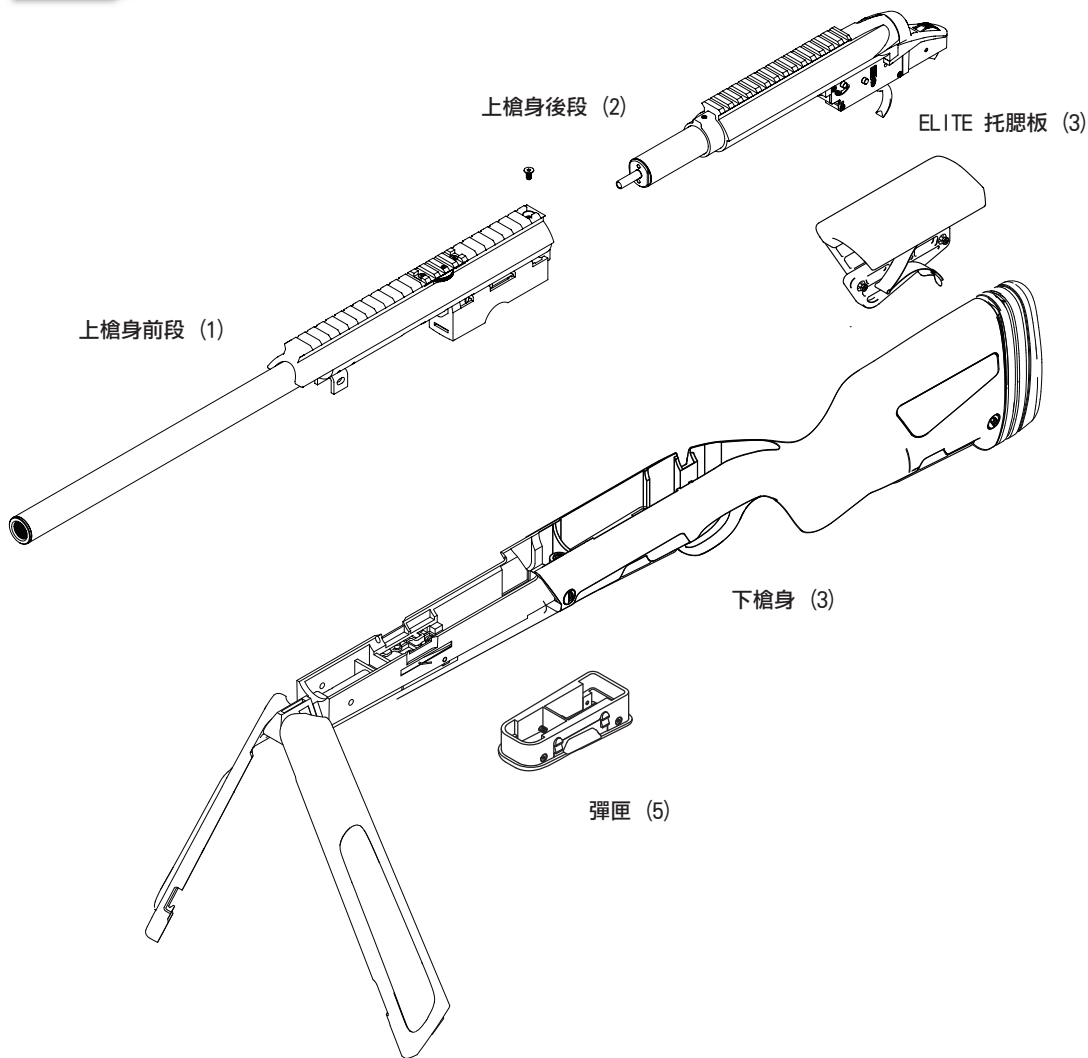
用剪刀剪下一塊約25x10mm的拭淨布後穿過通槍條後旋轉纏繞，從槍口伸入後，以旋轉的方式進行槍管清理。

*請不要擦拭到HOP皮，以免造成HOP皮破損或髒汙。

10

Q&A

| | |
|---------------------------|----------------------------------|
| 是否是VSR10系統? | 與VSR10系統不相容。 |
| 是否是MOD24/SSG24系統? | 是，但氣缸須更換為加大版本。 |
| 與MOD24的彈匣是否共用? | 需更換內膽。 |
| 零件是否跟MOD24共用? | 僅扳機組、Hop座及內管共用。 |
| 建議使用的HOP皮? | Predator 猛禽皮。 |
| 如果遇到卡彈該怎麼處理? | 請將槍機後拉至定位，以通槍條進行排除。 |
| 當彈道不理想時怎麼辦? | 先將槍管清理乾淨後，正確安裝並適當調整HOP位置。 |
| 槍枝壞掉該怎麼辦? | 請交給當地經銷商或專業技師處理，請勿親自動手，以免影響保固權益。 |
| Elite上槍身可與Steyr Scout交換嗎? | 可以。 |

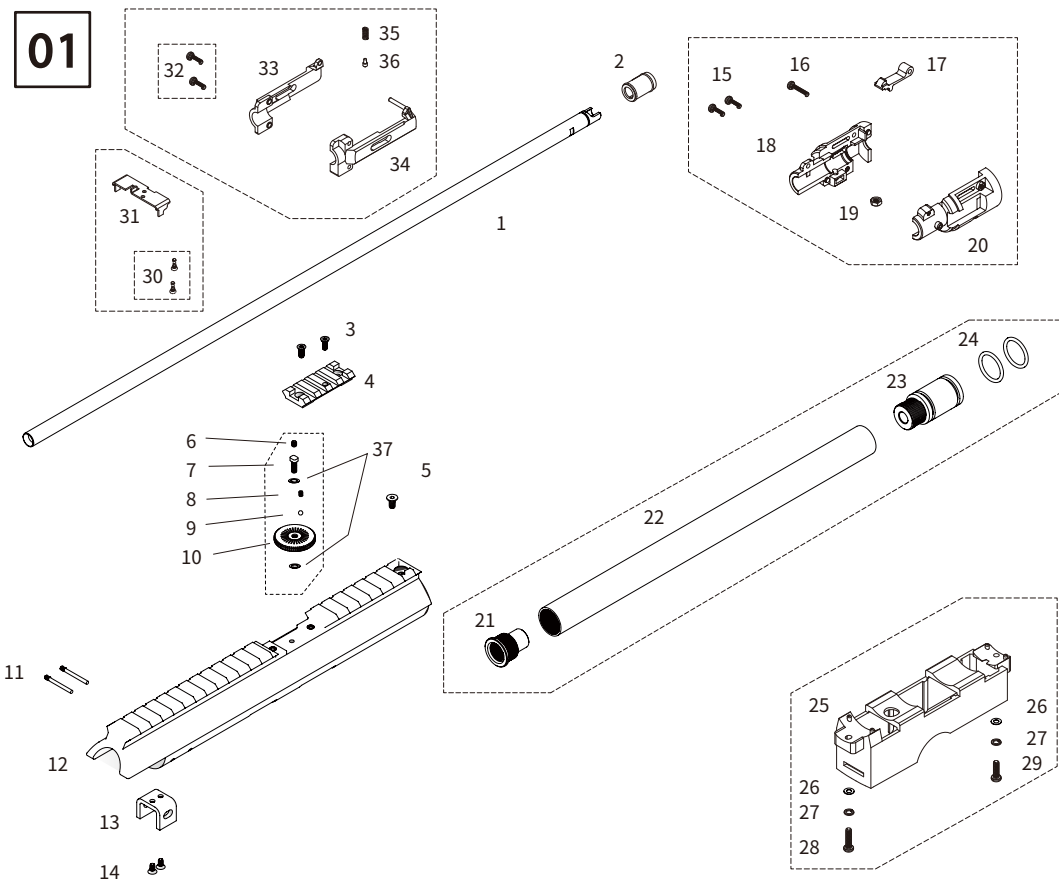


Modify Airsoft
Owners Group



[Steyr Scout]
How-To

01



01-1 內管

01-2 Predator Hop皮

01-3 M3x6 (2入)

01-4 上鏡軌

01-5 M4x8 螺絲

01-6 M3x5 調整螺絲

01-7 M3 轉盤螺絲

01-8 定位鋼珠彈簧

01-9 TDC定位鋼珠

01-10 TDC調整輪

01-11 槍管固定座 插銷 (2入)

01-12 槍身前段

01-13 固定座

01-14 M3x6 螺絲 (2入)

01-15 M2.5x8 螺絲 (2入)

01-16 M2.5x8 螺絲

01-17 下壓桿

01-18 Hop座 (右側)

01-19 螺帽

01-20 Hop座 (左側)

01-21 外管 槍口蓋

01-22 外管

01-23 槍管固定座

01-24 槍管固定座 O環 (2入)

01-25 彈匣框

01-26 墊片 (2入)

01-27 彈簧華司 (2入)

01-28 M3X12 螺絲

01-29 M3X10 螺絲

01-30 M2X6 螺絲

01-31 Hop Up 調節拉桿

01-32 M2.5x8 螺絲 (2入)

01-33 HOP塑膠拉桿 (右側)

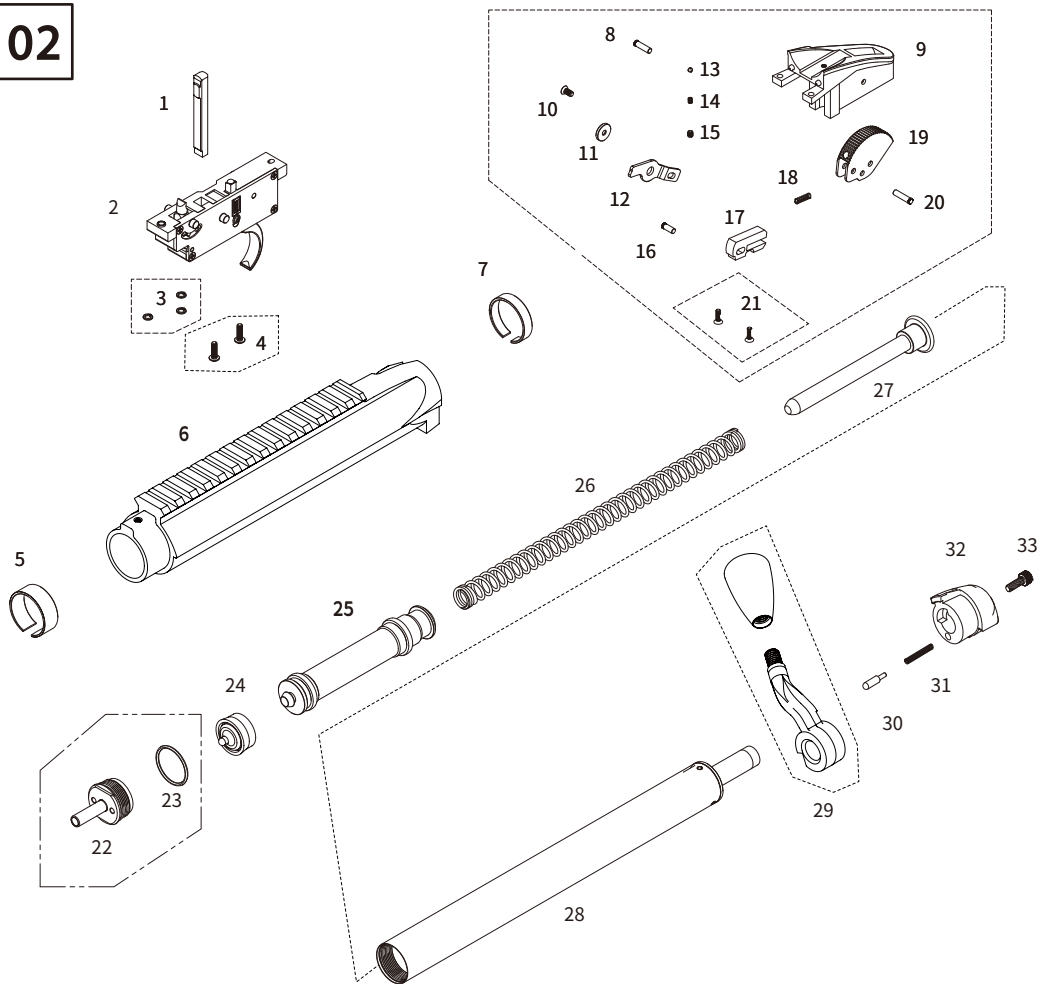
01-34 HOP塑膠拉桿 (左側)

01-35 Hop調整拉桿定位彈簧

01-36 Hop調整拉桿定位頂桿

01-37 華司 (2入)

02



02-1 長阻鐵

02-2 扳機總成

02-3 彈簧華司 (3入)

02-4 M3X10 螺絲 (2入)

02-5 機匣POM襯環 (前)

02-6 機匣段組

02-7 機匣POM襯環 (後)

02-8 保險滾輪運動插銷

02-9 保險基座

02-10 螺絲

02-11 保險連桿墊片

02-12 保險連桿

02-13 保險連桿定位鋼珠

02-14 定位鋼珠彈簧

02-15 止付螺絲

02-16 保險定位片插銷

02-17 保險定位片

02-18 保險定位片彈簧

02-19 保險滾輪

02-20 保險滾輪插銷

02-21 M2.5X8 螺絲 (2入)

02-22 加大型氣缸頭

02-23 加大氣缸頭O環

02-24 加大活塞拍頭

02-25 加大活塞組

02-26 9mm 彈簧

02-27 加大氣缸尾頂桿

02-28 加大氣缸主體

02-29 氣缸拉柄

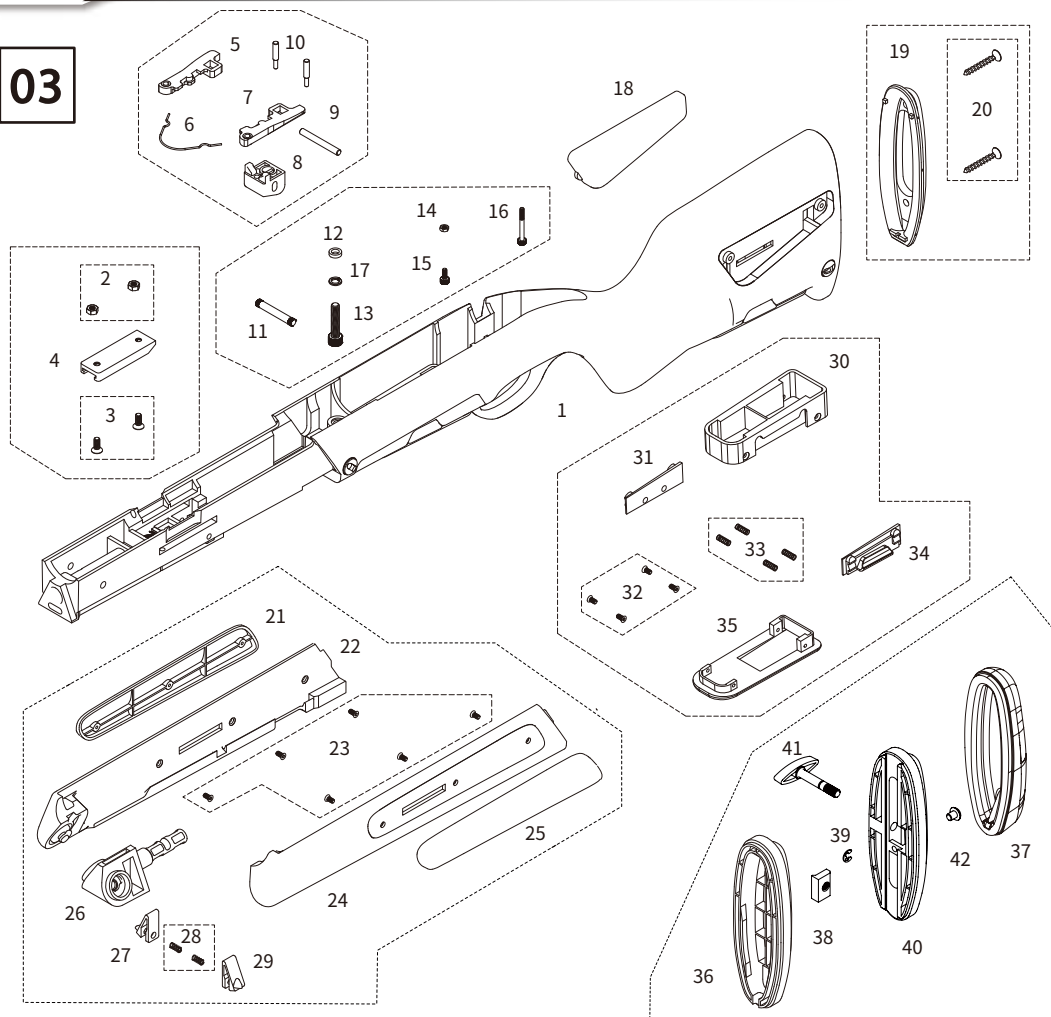
02-30 拉柄定位桿

02-31 拉柄定位彈簧

02-32 氣缸尾蓋

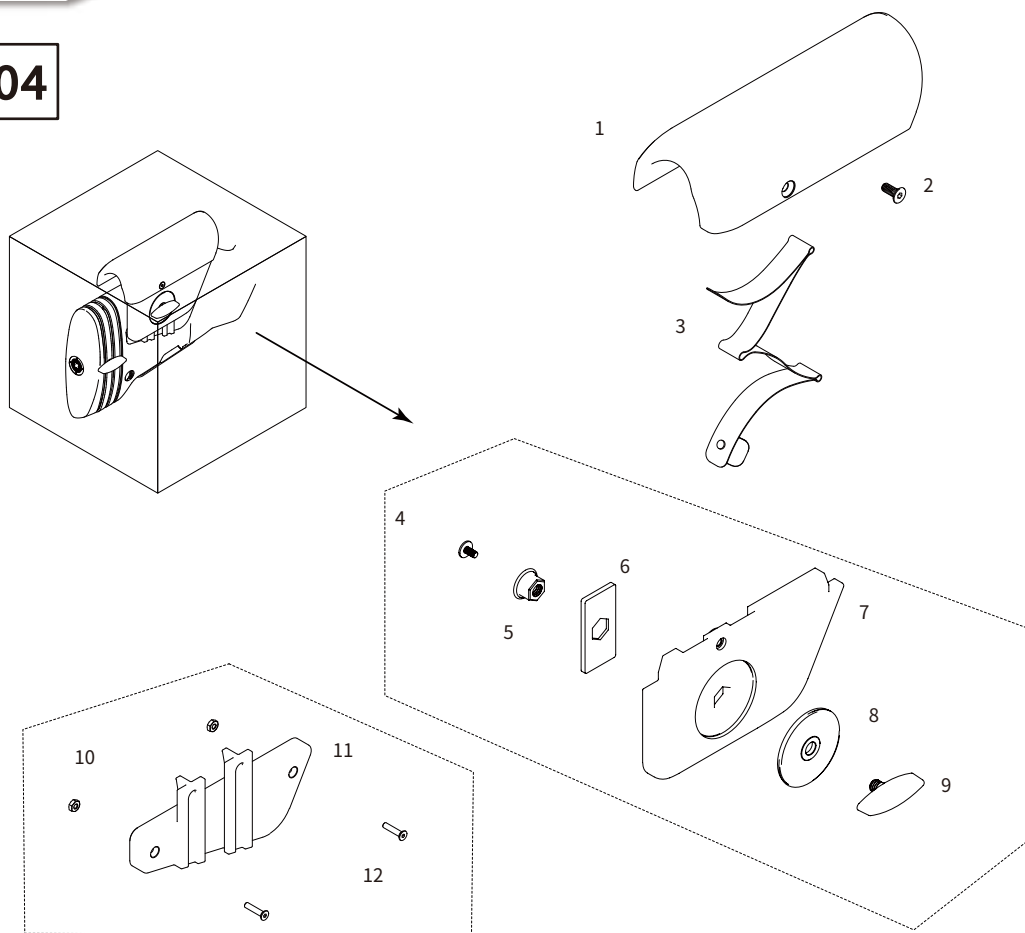
02-33 尾蓋螺絲

03



- | | | | | |
|--------------------|--------------------|---------------------|--------------------|---------------|
| 03-1 槍托主體 | 03-11 槍托搖座固定銷 | 03-21 腳架右側蓋板 | 03-31 裝飾彈匣卡榫(右) | 03-41 墊塊手轉螺絲 |
| 03-2 螺帽(2入) | 03-12 槍身鎖付墊片 | 03-22 腳架(右) | 03-32 M3X6 螺絲(4入) | 03-42 M5x6 螺絲 |
| 03-3 M4X10 螺絲(2入) | 03-13 上槍身前段結合螺絲 | 03-23 M2.5X6 螺絲(6入) | 03-33 裝飾彈匣卡榫彈簧(4入) | |
| 03-4 槍托魚骨固定座 | 03-14 螺帽 | 03-24 腳架(左) | 03-34 裝飾彈匣卡榫(左) | |
| 03-5 槍托腳架固定卡榫(右) | 03-15 M3X8 螺絲 | 03-25 腳架左側蓋板 | 03-35 裝飾彈匣底蓋 | |
| 03-6 腳架固定卡榫異型簧 | 03-16 上槍身後段結合螺絲 | 03-26 腳架搖座主體 | 03-36 滑軌墊塊 | |
| 03-7 槍托腳架固定卡榫(左) | 03-17 墊片 | 03-27 腳架定位卡榫(右) | 03-37 槍托底墊 | |
| 03-8 槍托腳架卡榫按鈕 | 03-18 腮貼左側擋板 | 03-28 腳架卡榫彈簧(2入) | 03-38 方頭螺栓 | |
| 03-9 腳架卡榫按鈕插銷 | 03-19 槍托底蓋 | 03-29 腳架定位卡榫(左) | 03-39 E扣 | |
| 03-10 腳架固定卡榫插銷(2入) | 03-20 槍托底蓋固定螺絲(2入) | 03-30 裝飾彈匣外殼 | 03-40 槍托墊塊 | |

04



04-1 貼膠

04-2 M4x10 螺絲

04-3 貼膠彈片彈簧

04-4 M3x6 螺絲

04-5 六角螺栓

04-6 貼膠調整墊片

04-7 貼膠側板

04-8 貼膠擋片

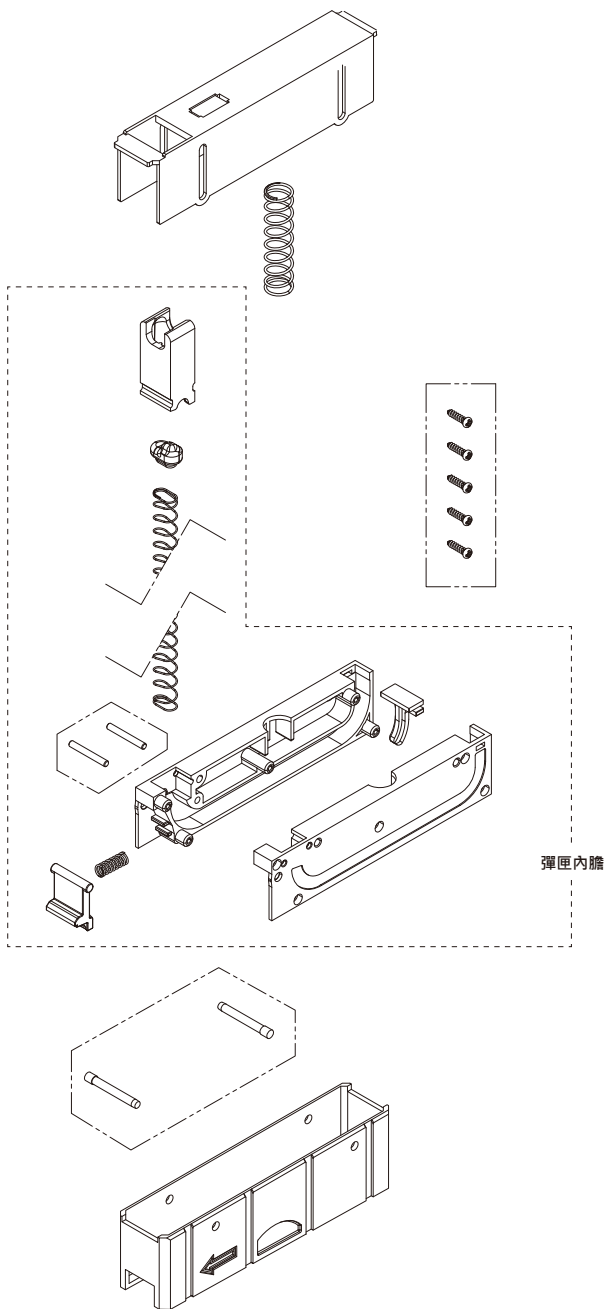
04-9 貼膠調整鈕

04-10 M2.5 螺柱 (2入)

04-11 貼膠彈片固定板

04-12 M2.5x12 螺絲 (2入)

05





STEYR ARMS GmbH, Austria, and the Steyr logo are registered trademarks of STEYR ARMS GmbH - www.steyr-arms.com - and are used for airsoft replicas under license from ActionSportGames| A/S, Denmark - www.actionsportgames.com.



Manufactured by Modify-tech
www.modify-tech.com
No.21, Ln. 384, Yongfeng Rd.,
Bade Dist, Taoyuan County 334015, Taiwan